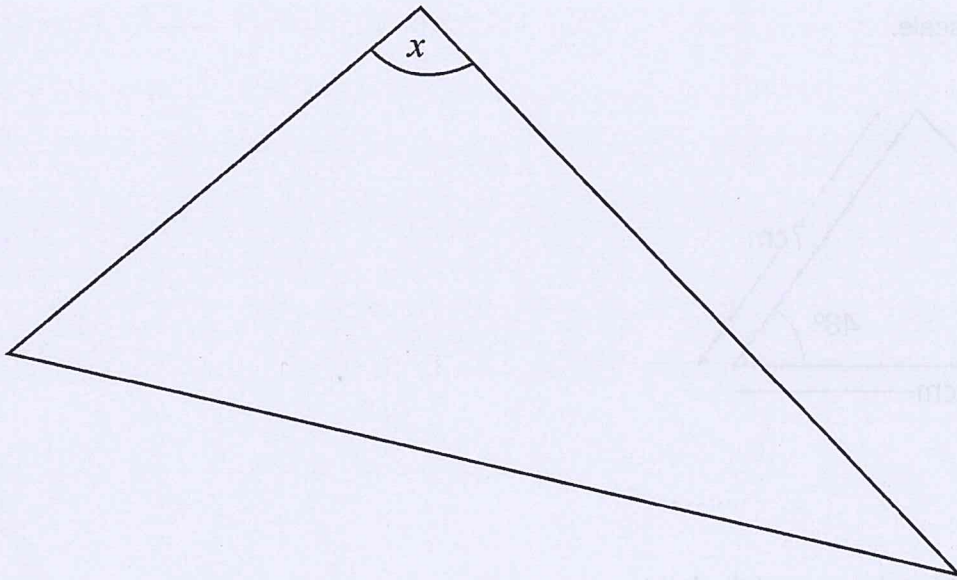


Protractor Reasoning

Q1.



Measure angle x accurately.

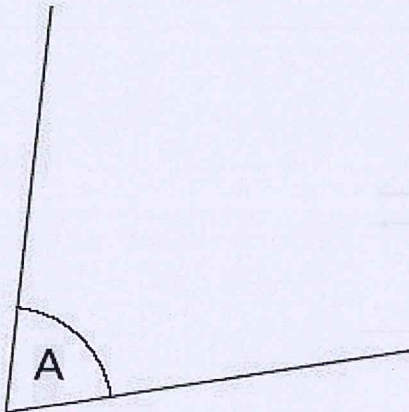
Use a protractor (angle measurer).

94 °

Q2.

Measure **angle A** accurately.

Use a protractor (angle measurer).



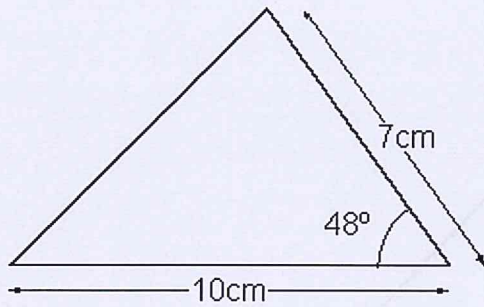
angle A

75 °

Q3.

Here is a sketch of a triangle.

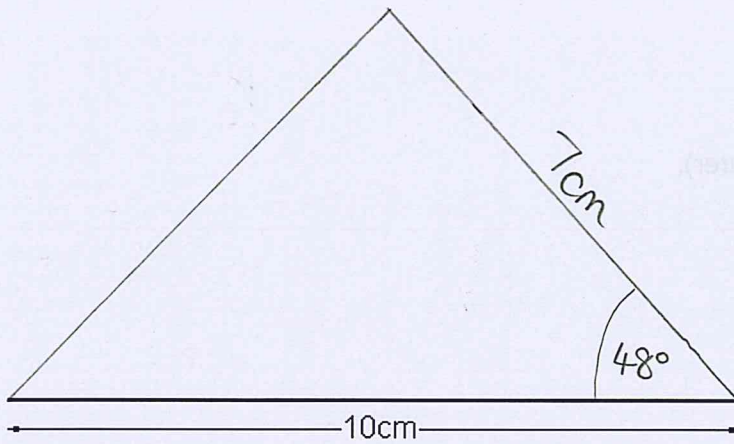
It is not drawn to scale.



Draw the full size triangle **accurately**, below.

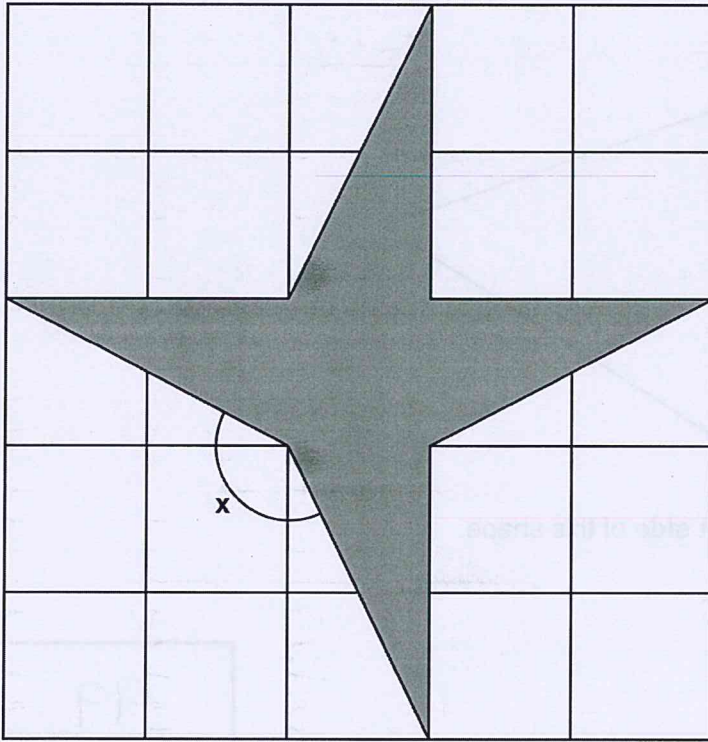
Use an angle measurer (protractor) and a ruler.

One line has been done for you.



Q4.

Here is a shaded shape on a grid made of squares.

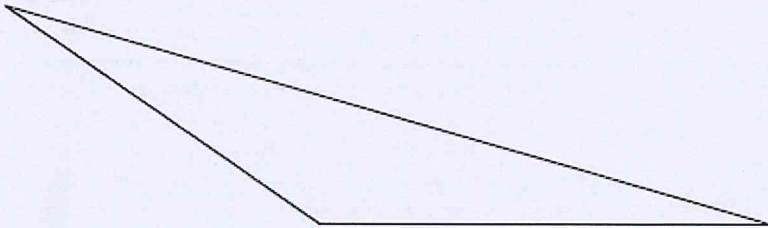


Measure **angle x** in degrees.

Use an angle measurer (protractor).

153°

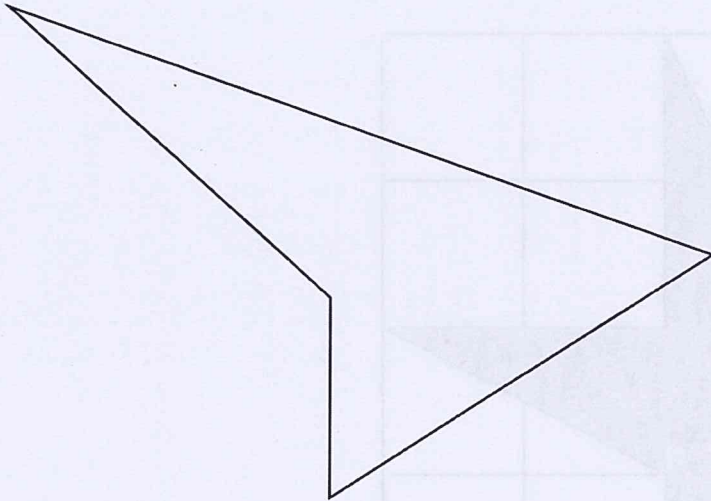
Q5. Here is a triangle.



Measure the largest angle.

145°

Q6.



Measure accurately the **longest side** of this shape.

Give your answer in millimetres.

99 mm

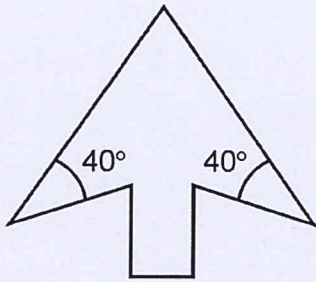
Measure accurately the **smallest angle** in the shape.

Use a protractor (angle measurer).

23 °

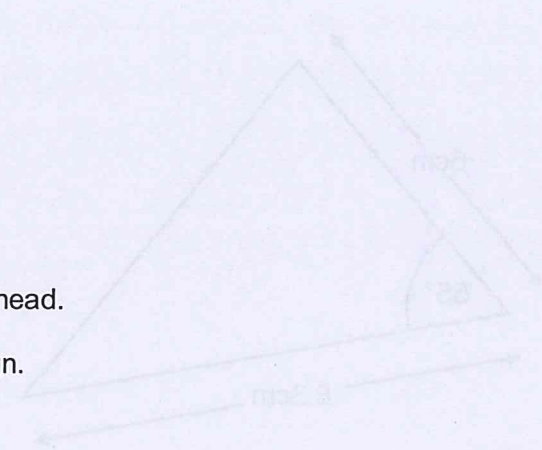
Q7.

This is a design for an arrowhead.



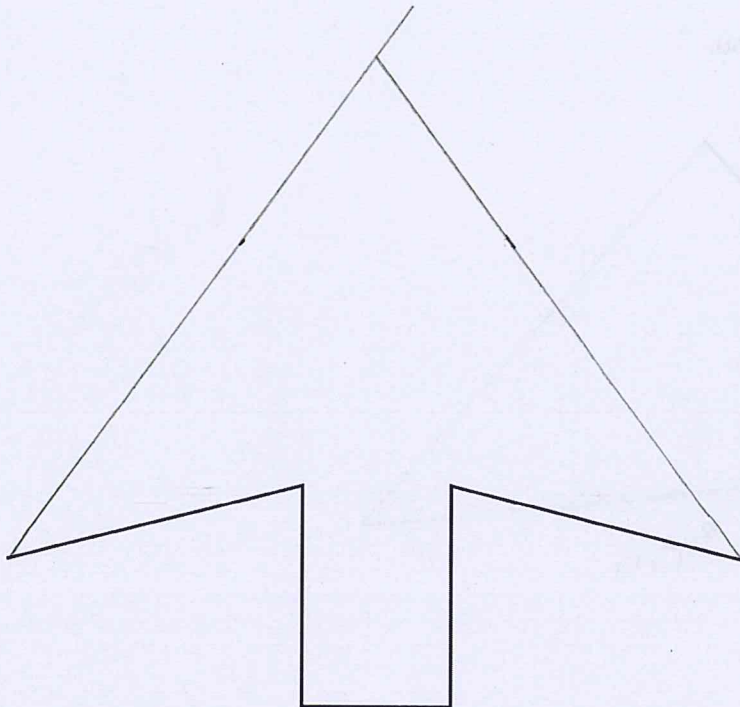
Below is part of a larger scale drawing of the arrowhead.

The drawing has the same size angles as the design.



Draw two more lines to complete the arrowhead **accurately**.

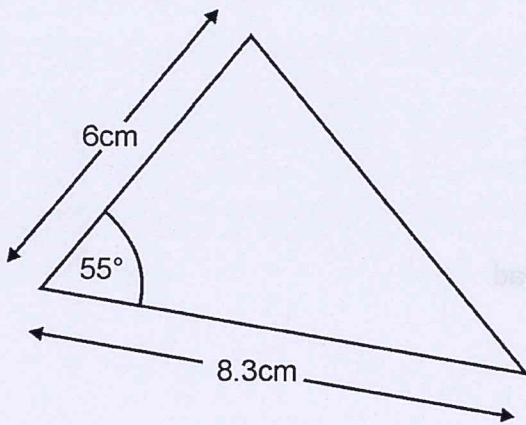
Use an angle measurer (protractor).



Q8.

Here is a sketch of a triangle.

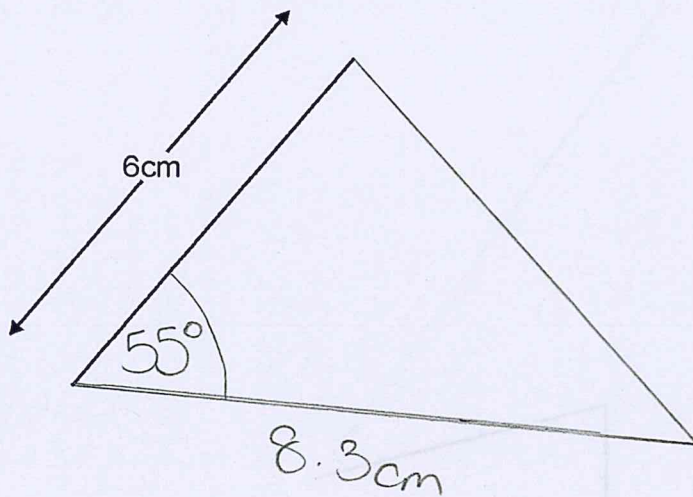
It is not drawn to scale.



Draw the full-size triangle accurately below.

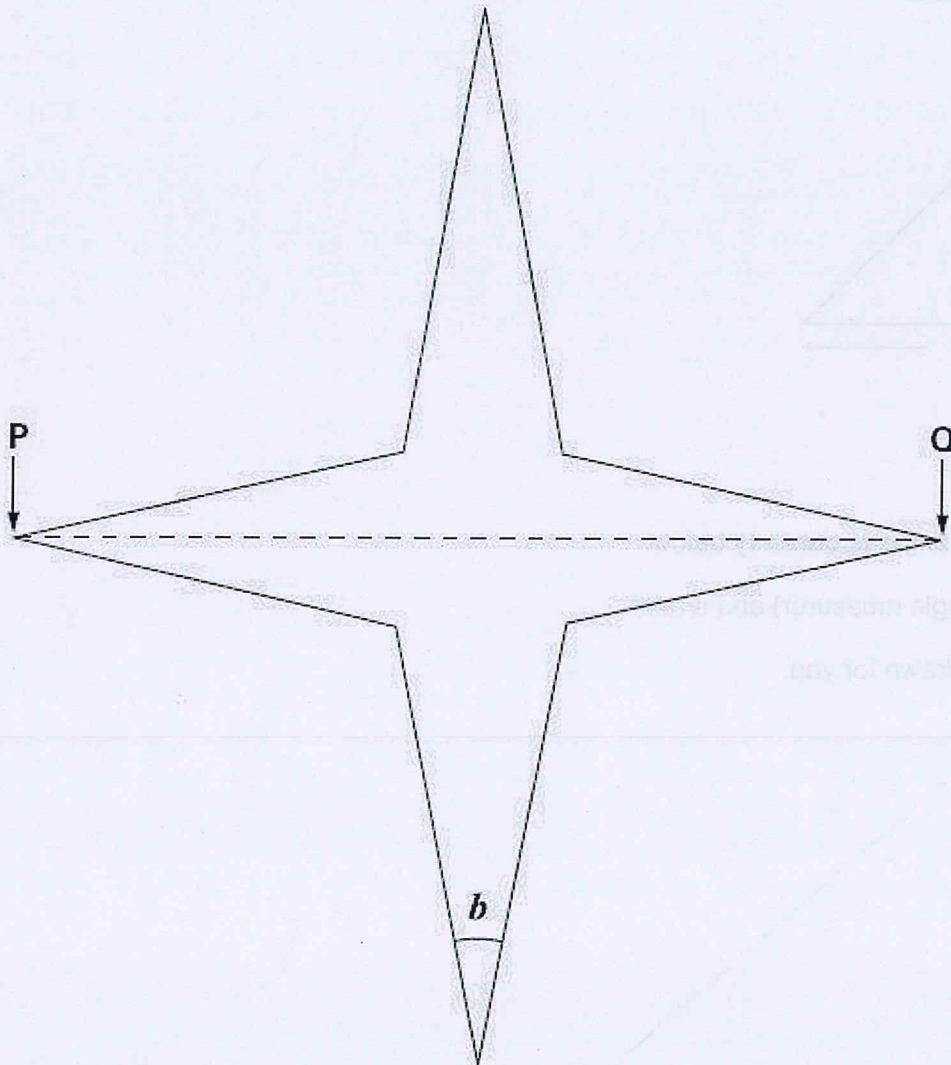
Use a protractor (angle measurer) and a ruler.

One line has been drawn for you.



Q9.

Look at this star.



Use a ruler to measure **accurately** the **width** of the star, from **P** to **Q**.

Give your answer in **millimetres**.

123 mm

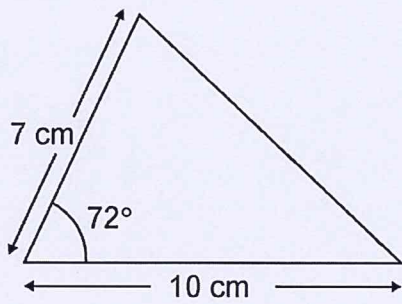
Use a protractor (angle measurer) to measure **angle b**.

22 °

Q10.

Here is a sketch of a triangle.

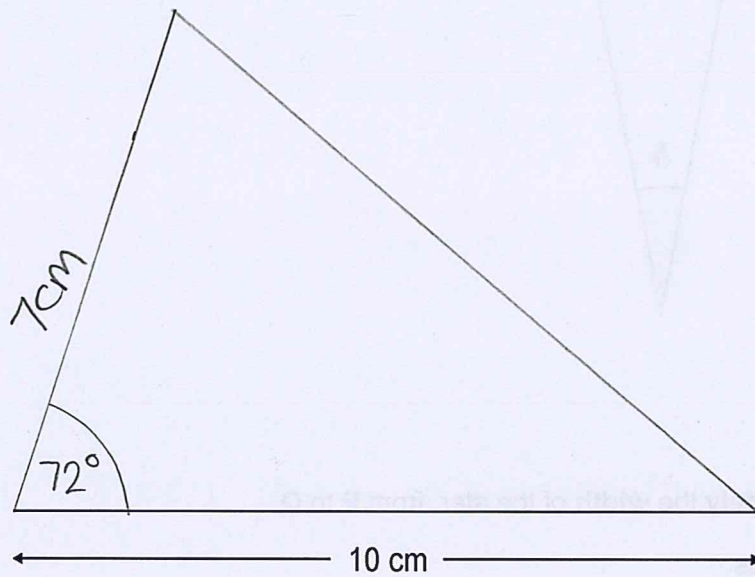
It is not drawn to scale.



Draw the full-size triangle **accurately** below.

Use a protractor (angle measurer) and a ruler.

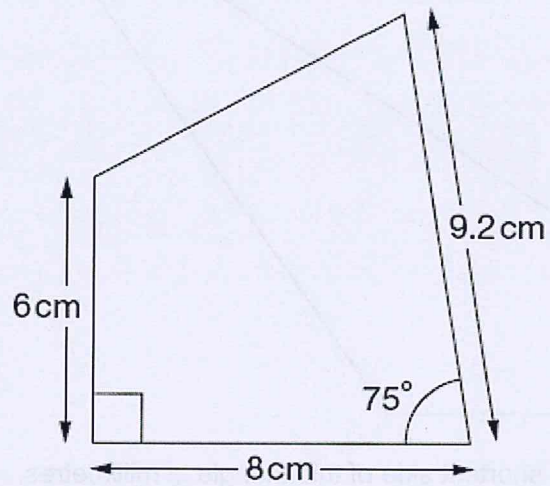
One line has been drawn for you.



Q11.

Here is a sketch of a quadrilateral.

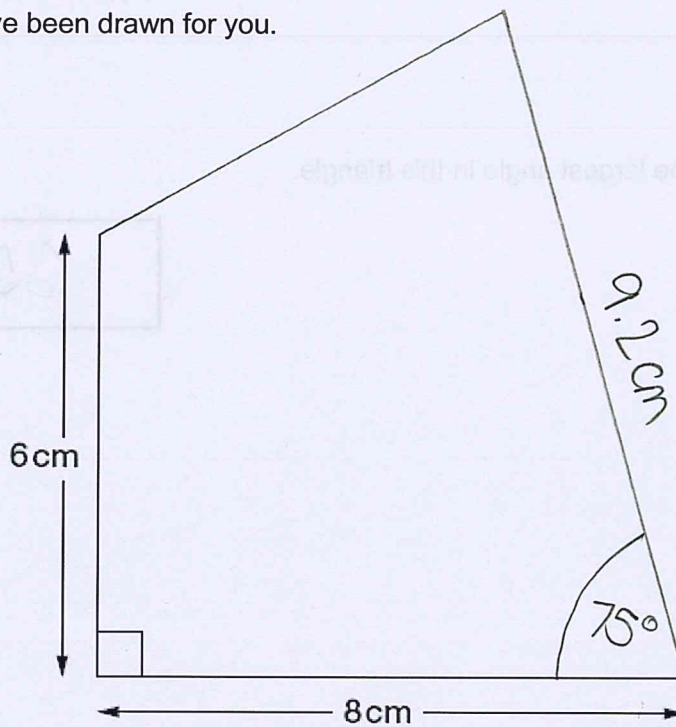
It is **not** drawn to scale.



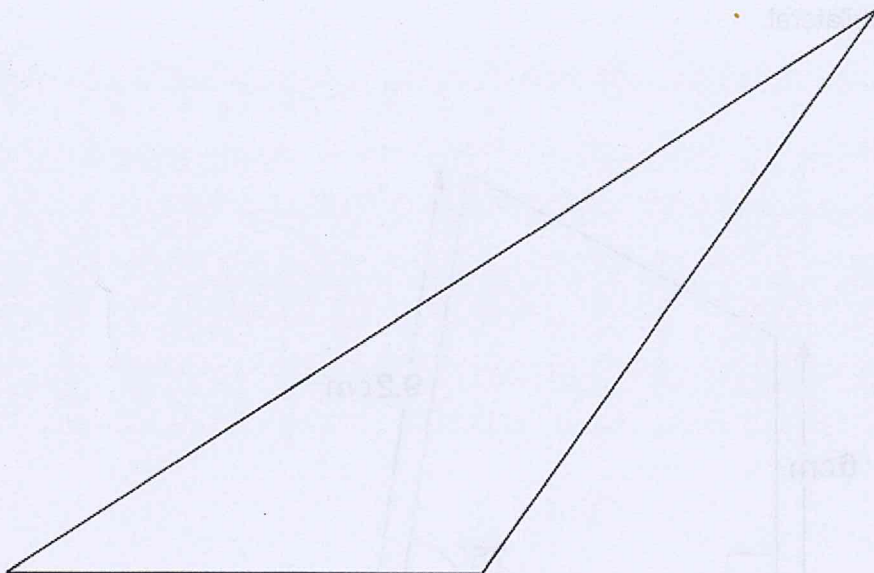
Draw the full-size quadrilateral **accurately** below.

Use a protractor (angle measurer) and a ruler.

Two of the lines have been drawn for you.



Q8.



Measure the length of the shortest side of this triangle in millimetres.

68 mm

Measure the size of the largest angle in this triangle.

65 °